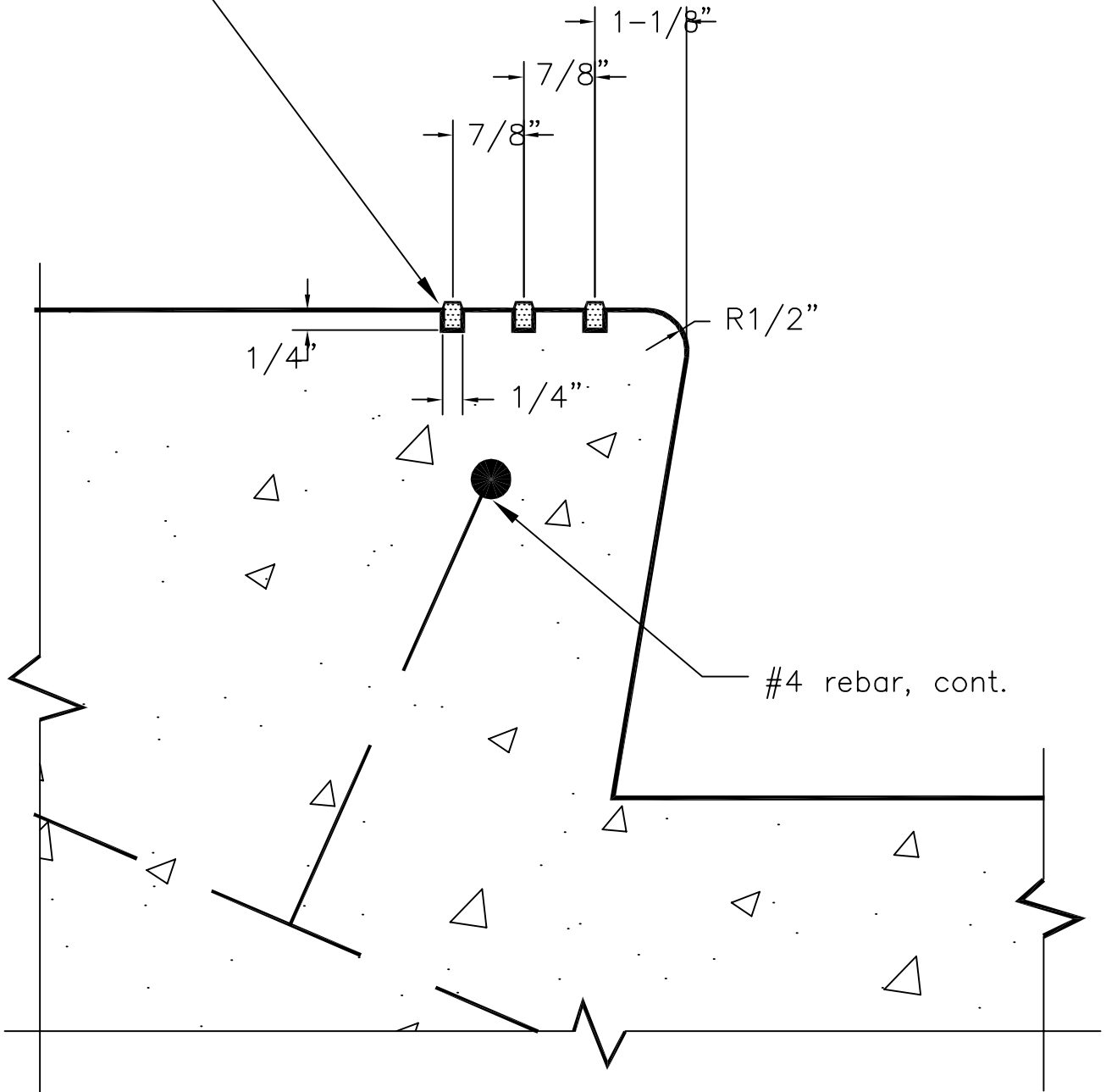


Abrasive strips: silicon carbide 80 grit in resin, for all stairs, strips continuous along tread of each step.



NOTES:
1. SEE DETAIL 05.5-20.

UNIVERSITY OF CALIFORNIA SANTA CRUZ Physical Planning and Construction	SHEET TITLE CONCRETE STAIR NOSING DETAIL	DRAWN OAC	LOCATION	FILE NO. REF
	BUILDING OR PROJECT	CHECKED HGH	SCALE N.T.S.	SHEET
	CAMPUS STANDARDS	APPROVED PP&C	DATE 10/23/1997	03.3-01